



NEW

HARDI DUOCAP



Double-up your application

- Improved coverage
- Angled spray ensures penetration in dense crops
- Can hold all ISO nozzles
- 30° forward and backward angle

HARDI DUOCAP gives you higher volume rate while still maintaining proper droplet size

Fitted with two F or LD nozzles HARDI DUOCAP will give Fine to Medium spray, suitable for fungicide spraying.

Two different nozzles can be used. A Standard and a MINIDRIFT nozzle will give you the dual benefit of having Fine droplets that ensures good coverage in the top of the crop and Coarse droplets that penetrates to the lower and more dense areas.

HARDI DUOCAP fitted with two MINIDRIFT nozzles will give superior penetration into dense crops like Potatoes and Soybeans.



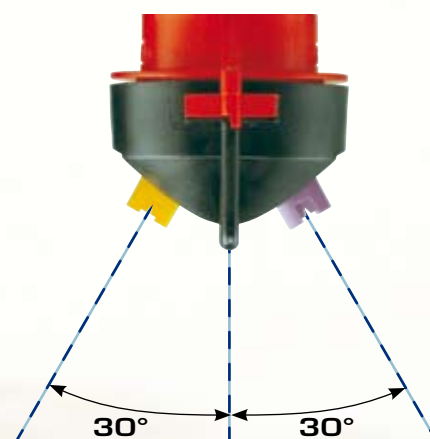


Calibration

If two ISO nozzles of the same size are used - then they will apply the same volume as one ISO nozzle of the double size (use the application table of the double sized nozzle). If two nozzle of different sizes are used then the l/min at the chosen pressure for both nozzles must be added together and the table below can be used to find the application volume.

l/min (2 nozzles)	l/ha at km/h							
	6	7	8	10	12	15	20	25
0,75	150	129	113	90	75	60	45	36
1,00	200	171	150	120	100	80	60	48
1,25	250	214	188	150	125	100	75	60
1,50	300	257	225	180	150	120	90	72
1,75	350	300	263	210	175	140	105	84
2,00	400	343	300	240	200	160	120	96
2,25	450	386	338	270	225	180	135	108
2,50	500	429	375	300	250	200	150	120
2,75	550	471	413	330	275	220	165	132
3,00	600	514	450	360	300	240	180	144
3,25	650	557	488	390	325	260	195	156
3,50	700	600	525	420	350	280	210	168
3,75	750	643	563	450	375	300	225	180
4,00	800	686	600	480	400	320	240	192
4,25	850	729	638	510	425	340	255	204
4,50	900	771	675	540	450	360	270	216
4,75	950	814	713	570	475	380	285	228
5,00	1000	857	750	600	500	400	300	240
5,25	1050	900	788	630	525	420	315	252
5,50	1100	943	825	660	550	440	330	264
5,75	1150	986	863	690	575	460	345	276
6,00	1200	1029	900	720	600	480	360	288

The HARDI DUOCAP is delivered complete with 3 O-rings, and 3 plastic parts (note: nozzles is not included)



HARDI INTERNATIONAL A/s

Hølgeshøj Allé 38 • DK 2630 • Taastrup • Denmark
E-Mail: hardi@hardi-international.com • www.hardi-international.com

